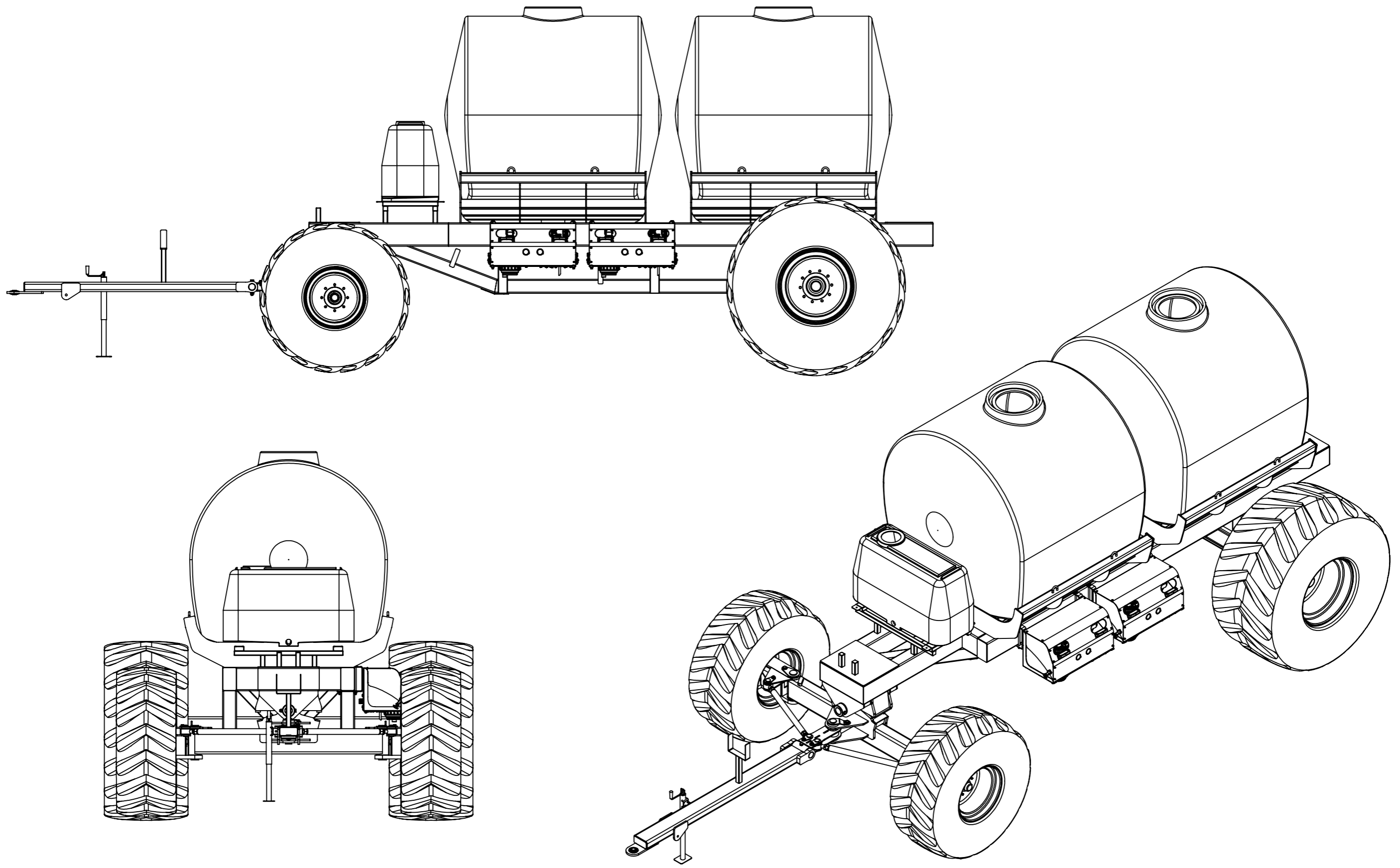


DIMENSIONS IN MILLIMETRES
DO NOT SCALE



REV.	DRAWING REVISION	DATE	BY	CHKD

DRAWING NOTES:
FINISH : PERFECTION

TOLERANCES IF NOT SPECIFIED (COARSE SERIES)						
LINEAR: NOMINAL DIMENSION						
OVER	30	120	400	1000	6000	
TO	±0.5	±0.8	±1.2	±2.0	±3.0	±5.0
TOL						
ANGULAR:						
FORMED: ±1° OTHER: ±0.5°						

THIS DOCUMENT IS THE PROPERTY OF PRIMARY SALES AUSTRALIA. IT MUST NOT BE REPRODUCED, COPIED OR OTHERWISE COMMUNICATED TO ANY THIRD PARTY WITHOUT THE WRITTEN CONSENT OF PRIMARY SALES AUSTRALIA.

PRIMARY SALES AUSTRALIA

A3

DRN BY MLC	DRN DATE 28/07/2021
CHKD BY MLC	CHKD DATE 28/07/2021

TITLE		PART NO		WEIGHT(KG)	
LIQUID CART ASSEMBLY VISUAL REFERENCE		LQC-ASS-14KL-TB		-	
DRAWING NO		LQC-ASS-REFERENCE		REVISION	
				-	